



Spare Parts List

Ipc Div.SOTECO

Ref: ASDO13168

Cust.Ref: SKYVAC 78UK

Model: VACUUM CLEANER PANDA 423 GB BASIC NX C/T.

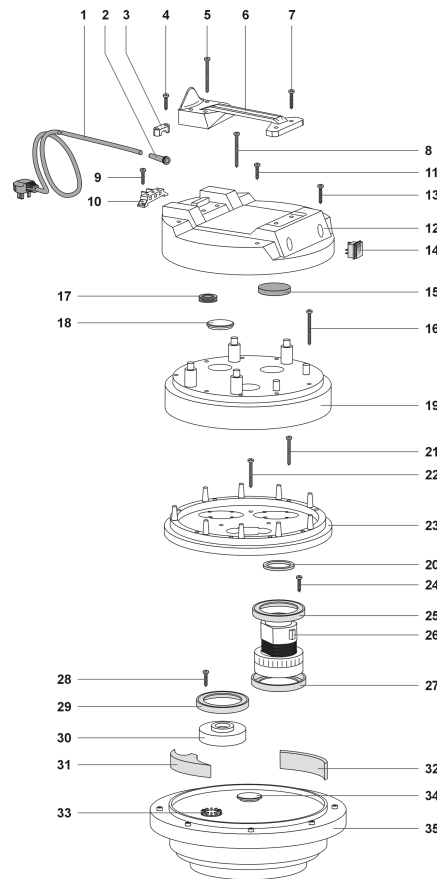
Cust.Model:



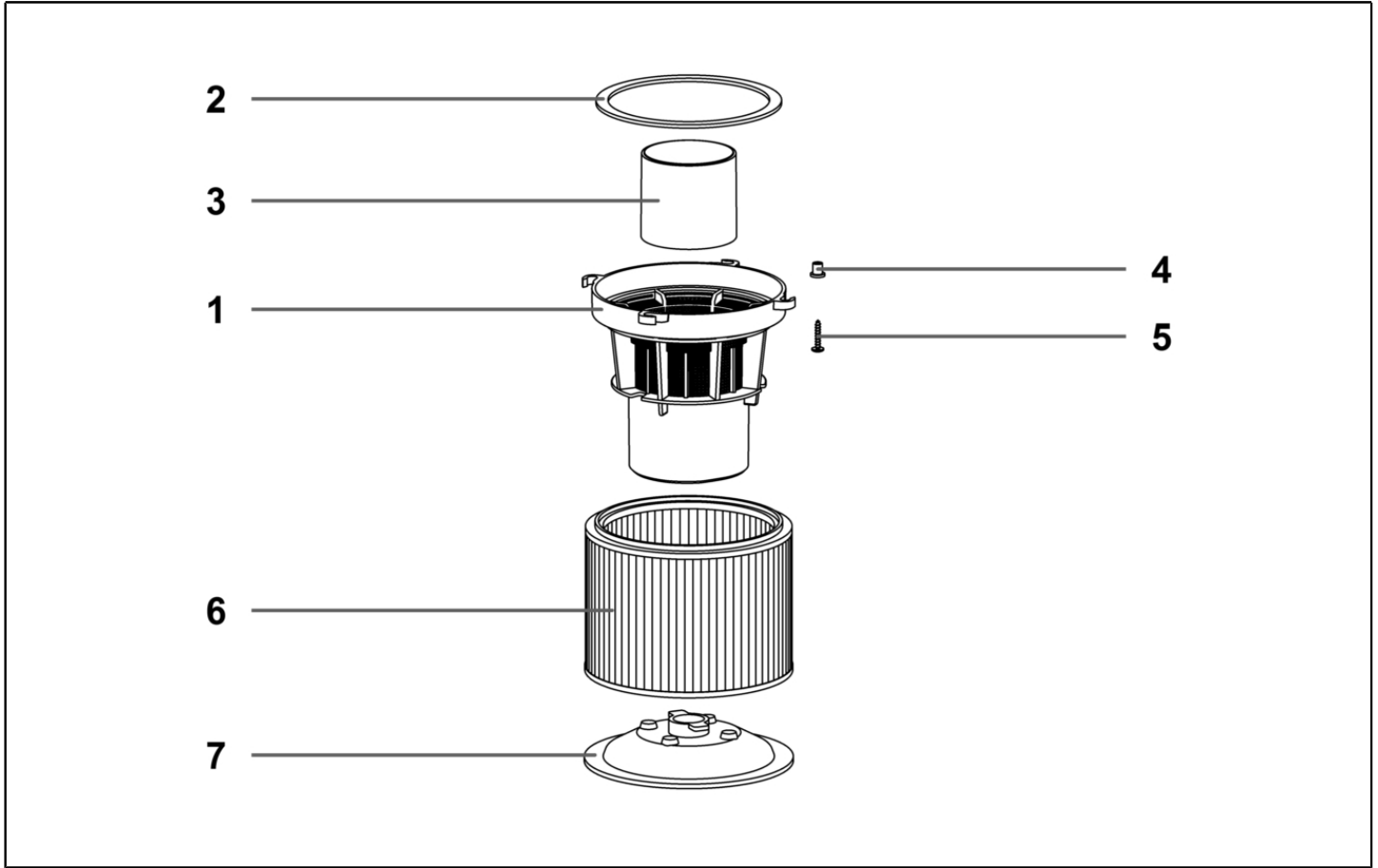
IPC Integrated Professional Cleaning

IPC Soteco

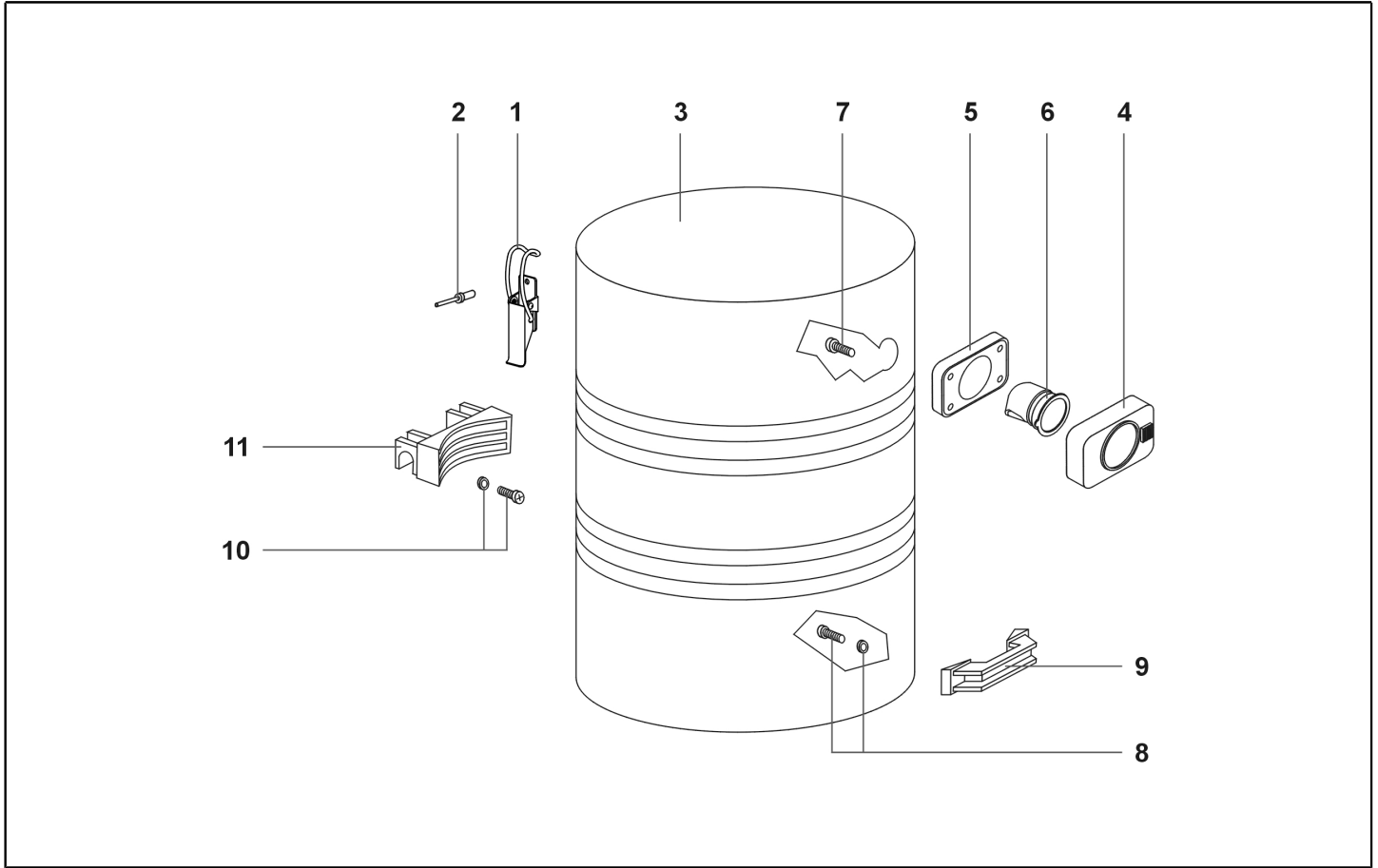
Ref. K	Part N.	Customer Part N.	Description	Quantity	Validity		Price
					From	To	
0001	PMTA07723	COMMERCIAL HEAD	IN 240V	1,00			--
0002	KTRI03693		FILTERING KIT 300/500/400/600 POLY	1,00			--
0003	PMFU02680		TANK 400 B H685 A430 2G COND C	1,00	17/05/2017		--
0004	CARR01819	COMPLETE TIPPING	TROLLEY FOR INDUSTRIAL (new structure)	1,00			--



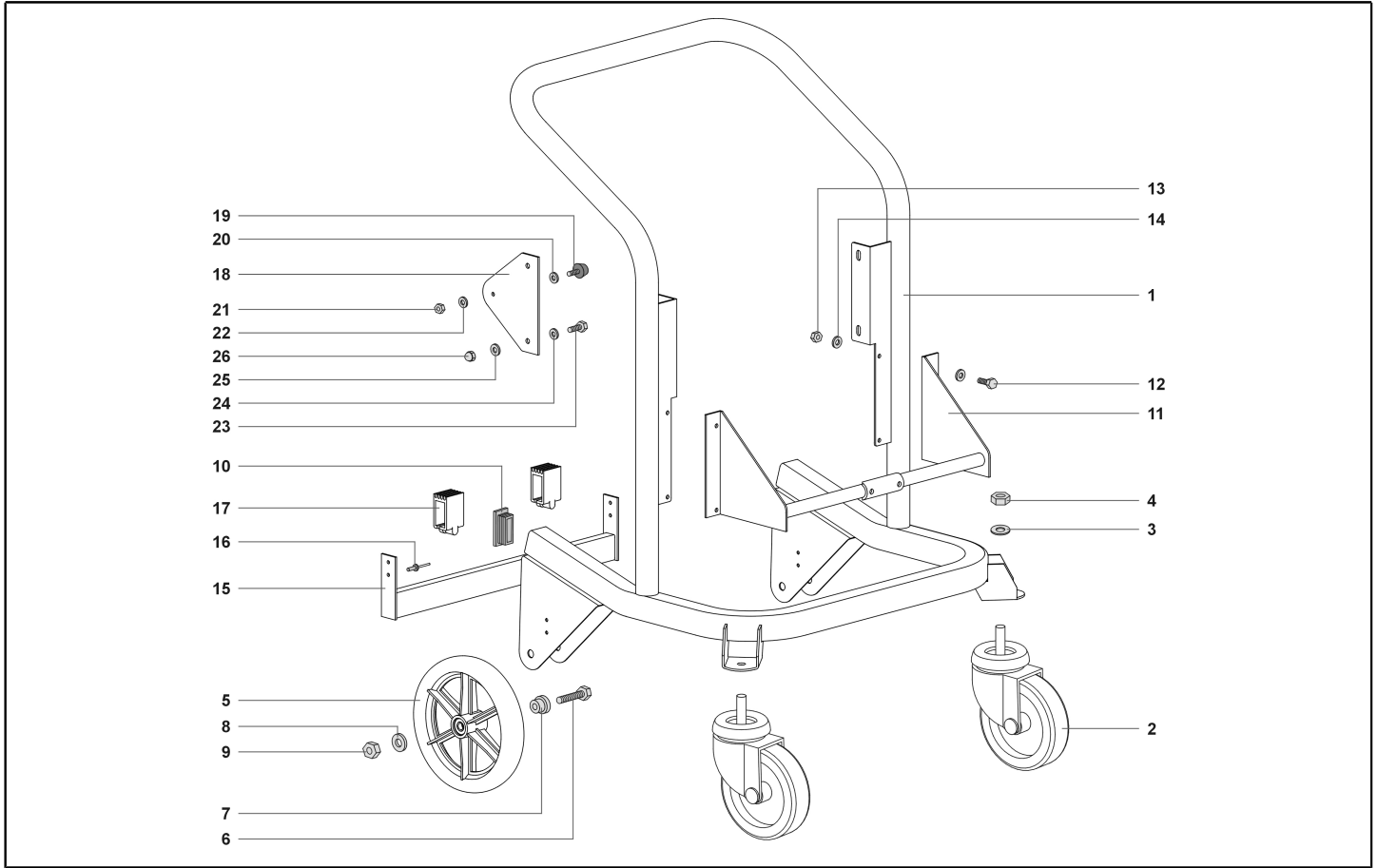
Ref. K	Part N.	Customer Part N.	Description	Quantity	Validity		Price
					From	To	
*	MECB01831		ELECTR.KIT 50CM POKE-IN MOT TP 1200	2,00			--
*	FSVR00127		CLAMP	3,00			--
*	MECB35712		WIRE WITH RESISTANCE	1,00	13/11/2015		--
0001	MECB01801		POWER CORD 2X1,5 MT.8,5 GB	1,00			--
0002	MEVR28673		FAIRLEAD	1,00			--
0003	MPVR28690		CABLE CLAMP	1,00			--
0004	VTVT71961		SCREW PFU TMT PHL 5X20 BLACK	2,00			--
0005	VTVT32295		SCREW PAT TMT PHL 5X50	4,00			--
0006	MPVR10062		L.BLUE HANDLE PANDA 600	1,00			--
0007	VTVT72055		SCREW PFU TMT PHL 5X25 ZN BLACK	2,00			--
0008	VTVT32295		SCREW PAT TMT PHL 5X50	2,00			--
0009	VTVT71960		SCREW PAT TMT PHL 5X14 ZN BLACK	2,00			--
0010	MECB01168		TERMINAL BOARD 400-600 2P 2MOT	1,00			--
0011	VTVT71961		SCREW PFU TMT PHL 5X20 BLACK	2,00			--
0012	PMVR05949		COVER PANDA 600 2M GR 6000	1,00			--
0013	VTVT72055		SCREW PFU TMT PHL 5X25 ZN BLACK	2,00			--
0014	MECI28744		ANTISPLASH RED LIGHT SWITCHER	2,00			--
0015	FTDP38064		FILTER MTP/65 H=15 D.95	2,00			--
0016	VTVT40007		SCREW PAT TMT PHL 5X55 BLACK	9,00			--
0017	MEVR72017		GUIDING SLIT FOR QUICK COUPLING	1,00			--
0018	MPVR38053		COVERING CAP	1,00			--
0019	MPVR08504		L.BLUE COVER 600	1,00			--
0020	MPVR38371		WASHER H8 D85X65	2,00			--
0021	VTVT72106		SCREW PAT TMT PHL 5X40 BLACK	9,00			--
0022	VTVT72106		SCREW PAT TMT PHL 5X40 BLACK	3,00			--
0023	MPVR09336		MOTOR SUPPORT NEV. 600 GREY 6000	1,00			--
0024	VTVT71961		SCREW PFU TMT PHL 5X20 BLACK	8,00			--
0025	GUGO28683		"L" GASKET W/O HOLES H=5,5	2,00			--
0026	MOMO00624		MOTOR BD382 1200W 220-240 50/60	2,00			--
0027	GUGO28683		"L" GASKET W/O HOLES H=5,5	2,00			--
0028	VTVT71961		SCREW PFU TMT PHL 5X20 BLACK	4,00			--
0029	GUGO28683		"L" GASKET W/O HOLES H=5,5	1,00			--
0030	MPVR07346		FAKE MOTOR	1,00			--
0031	FTDP38057		ANTINOISE TRIANGLE H=51	3,00			--
0032	FTDP28745		GASKET MTP/30 AU-AD 50X10X85	3,00			--
0033	MPVR28748		AUTOMATIC VALVE	2,00			--
0034	MPVR38058		BASE CAP	1,00			--
0035	MPVR02262		BASE 600/400 W/GASK.W/PLATE GR6	1,00	13/11/2015		--



Ref. K	Part N.	Customer Part N.	Description	Quantity	Validity		Price
					From	To	
0001	MPVR40521		NET ANTIFOAM BODY HIGH	1,00			--
0002	GUVR40078		GASKET H3 DS50 W/ANTIFOAM BODY	1,00			--
0003	RCGR40008		HIGH FLOAT 99 W/GASKET 37 SHA	1,00			--
0004	MPVR35796		PLASTIC SLEEVE D.8	4,00			--
0005	VTVT36751		SCREW PAT TMT PHL 5X25	4,00			--
0006	FTDP44260		POLYESTER CARTRIDGE 175X145X163	1,00			--
0007	MPVR28723		COMPL.RING FOR FILTER	1,00			--



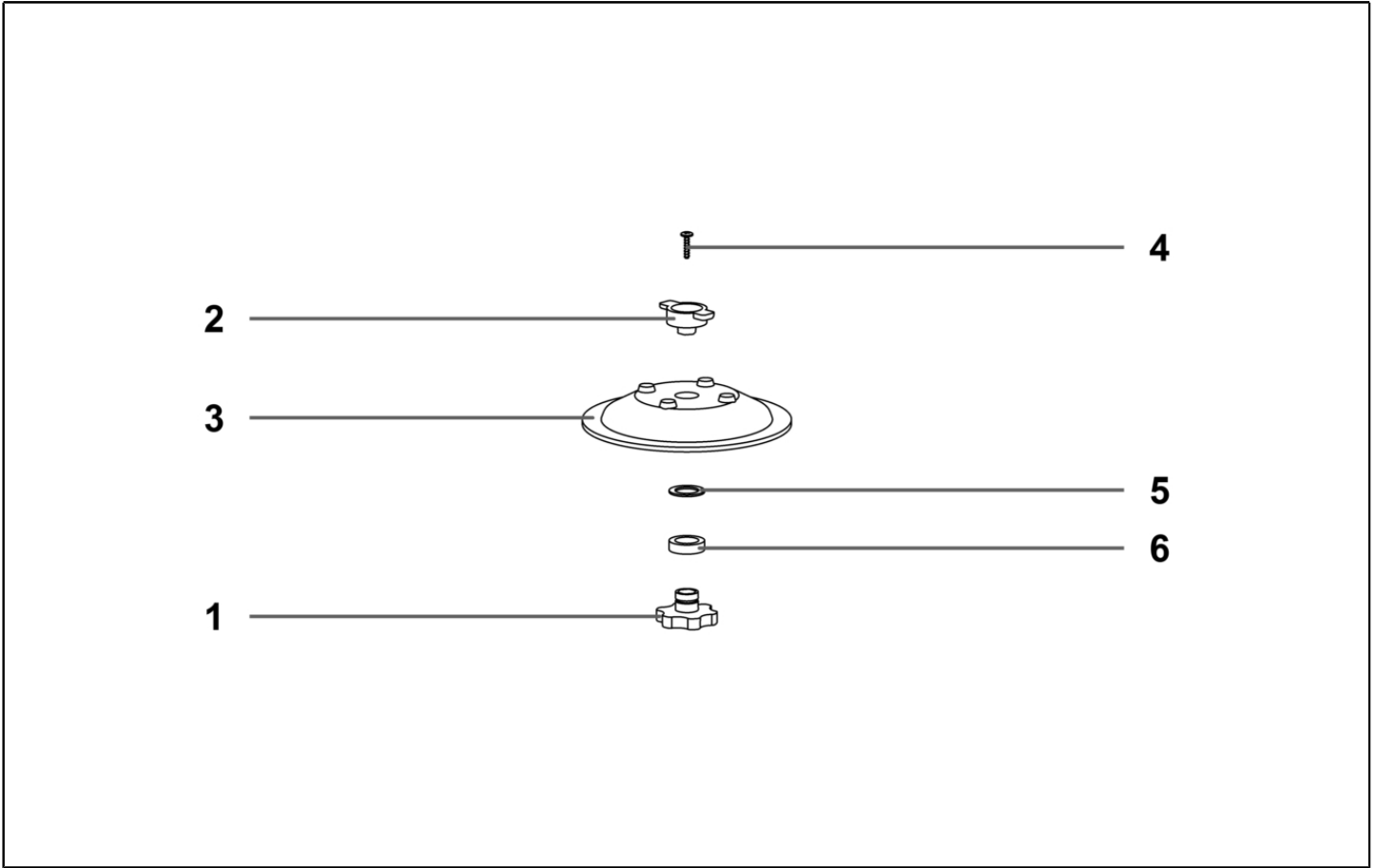
Ref. K	Part N.	Customer Part N.	Description	Quantity	Validity		Price
					From	To	
0001	CHVR40000		UNIVERSAL METAL HOOK	2,00			--
0002	VTVR71991		RIVET 5X11	4,00			--
0003	PMFU00675		TANK 400 BASC.H=685 SP08 A430	1,00			--
0004	MPVR10439		PIPE UNION R 205/60 COMPL CONDUCT.	1,00			--
0005	MPVR08681		GASKET R 205 GREY 6000	1,00			--
0006	MPVR42004		DEFLECTOR 99/60	1,00			--
0007	VTVT71966		SCREW PAT TMT PHL 5X30 BLACK	4,00			--
0008	RIGE00015		COMPLETE SEAL W/SCREW L=25	2,00			--
0009	MPVR09429		HANDLE GREY 6000	1,00			--
0010	RIGE00015		COMPLETE SEAL W/SCREW L=25	4,00			--
0011	MPVR06993		HINGE GROUP BASC COMP	1,00			--



Ref. K	Part N.	Customer Part N.	Description	Quantity	Validity		Price
					From	To	
0001	LAFN10812		FRAME OPTIM 600 SMALL	1,00			--
0002	RTRT00455		WHEEL DIA.150 M12X35	2,00			--
0003	VTRS00394		WASHER M 12 UNI 6592	2,00			--
0004	VTDD72060		LOW SELF-LOCKING NUT M 12	2,00			--
0005	RTRT00480		WHEEL PU DIA.245X50	2,00			--
0006	VTVT01414		SCREW TE M12X75 UNI 5737 8.8 Z	2,00			--
0007	PVVR00381		SPACER RUOTA D.245 OPT SMALL	2,00			--
0008	VTRS00394		WASHER M 12 UNI 6592	4,00			--
0009	VTDD72060		LOW SELF-LOCKING NUT M 12	2,00			--
0010	MPVR06895		PLASTIC TOP 40X40	2,00			--
0011	LAFN09581		HINGE AXIS	1,00			--
0012	VTVT01019		SCREW TE M 6X16 UNI 5739	4,00			--
0013	VTDD00222		NUT M 6 UNI 5588	4,00			--
0014	VTRS00400		WASHER M 6 UNI 6592	8,00			--
0015	LAFN10829		CARRYNG BAG TANK BASC. OPTIM SMALL	1,00			--
0016	VTVR00395		RIVET 4,8X15 INOX	4,00			--
0017	MPVR06691		FOOT TIPPING BEARING	2,00			--
0018	LAFN09583		PLATE FOOT	2,00			--
0019	ABGO00062		BUMPER H=17 M6X15	2,00			--
0020	VTRS00389		CRICKET M 6X18X1,5 UNI 6593	2,00			--
0021	VTDD00230		SELF-LOCJ.NUT M 6 SMALL UNI 7474	2,00			--
0022	VTRS00400		WASHER M 6 UNI 6592	2,00			--
0023	VTVT01392		SCREW TBEI 8X16 UNI 7380 INOX	4,00			--
0024	VTVR71963		WASHER 8X24	4,00			--
0025	VTRS00396		WASHER M 8 UNI 6592	4,00			--
0026	VTDD00214		NUT M 8 UNI 5721	4,00			--



Ref. K	Part N.	Customer Part N.	Description	Quantity	Validity		Price
					From	To	
0001	GUVR40078		GASKET H3 DS50 W/ANTIHOAM BODY	1,00			--
0001	GUVR40078		GASKET H3 DS50 W/ANTIHOAM BODY	1,00			--



Ref. K	Part N.	Customer Part N.	Description	Quantity	Validity		Price
					From	To	
0001	MPVR07254		KNOB RAPID ATTACK	1,00			--
0002	MPVR07253		HOOKING RAPID ATTACK	1,00			--
0003	MPVR06630		DISC FILTER SUPPORT	1,00			--
0004	VTVT71961		SCREW PFU TMT PHL 5X20 BLACK	1,00			--
0005	VTRS00418		WASHER P.P. 30X20X1,5	1,00			--
0006	VTRS00419		WASHER SPONGE RUBBER 30X20X8	1,00			--