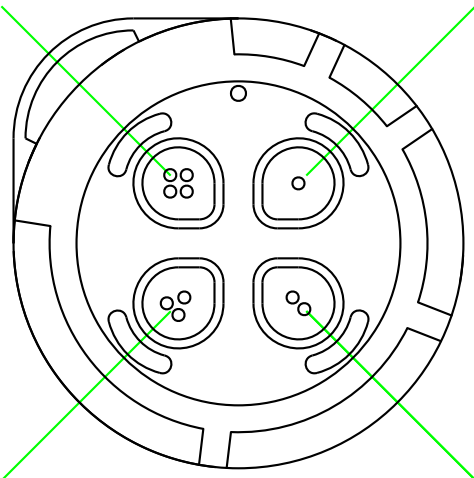


## Step 1. Fob Overview

Before you can use your fob it must be paired with its controller. Please see step 3 for details.

### Start/Stop

Press once to stop pump. Whole LED segment lights to indicate STP. Controller will show 'StP'. Press once to start pump. One LED lights to indicate pump has started.



**Pump Decrease**  
Each press will reduce pump flow by 10. LED segments indicate this.

**Pump Increase**  
Each press will increase pump flow by 10. LED segments indicate this.

### Auto-Calibrate

Press and hold until whole LED segment lights. One LED lights to indicate calibration has finished.

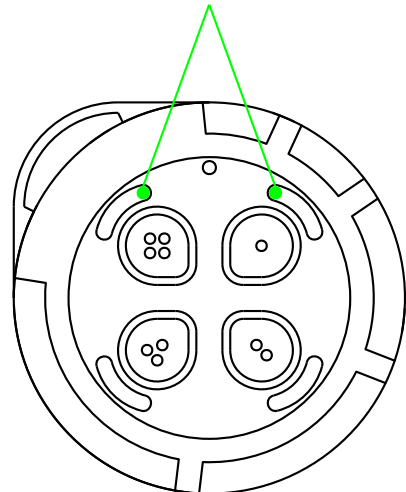
Specification	Value
Supply Voltage*	5 VDC
Enclosure Material	ABS
Water Resistance	IP61
Dimensions	75 x 16mm
Working Temperature	0 to 40 Deg C

\* Charge only with micro USB phone chargers or similar micro USB adaptors.

DISCLAIMER  
THE MANUFACTURER RESERVES THE RIGHT TO MAKE CHANGES TO ANY PRODUCT HEREIN TO IMPROVE RELIABILITY, FUNCTION OR DESIGN. THE MANUFACTURER DOES NOT ASSUME ANY LIABILITY ARISING OUT OF THE APPLICATION OR USE OF ANY PRODUCT OR CIRCUIT DESCRIBED HEREIN.

## Step 2. Fob Charging

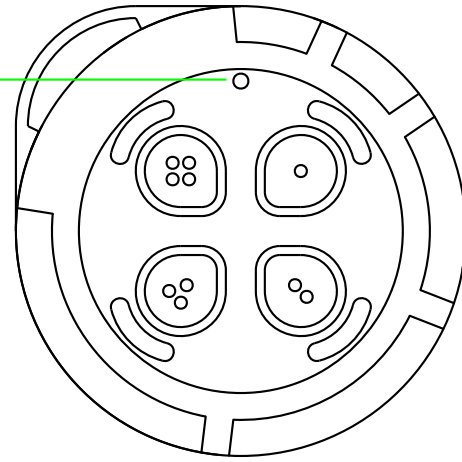
Your fob will indicate when it needs charging by lighting two LEDs.




**To Charge**  
Plug in micro USB phone charger or similar to the charging connector. Charging LED is red ● when charging. Charging LED is green ● when charged.



Charging LED





DO NOT IMMERSE FOB IN WATER. Doing so will result in damage to the unit.  
DO NOT LEAVE IN DIRECT SUNLIGHT. Doing so will result in damage to the unit.

